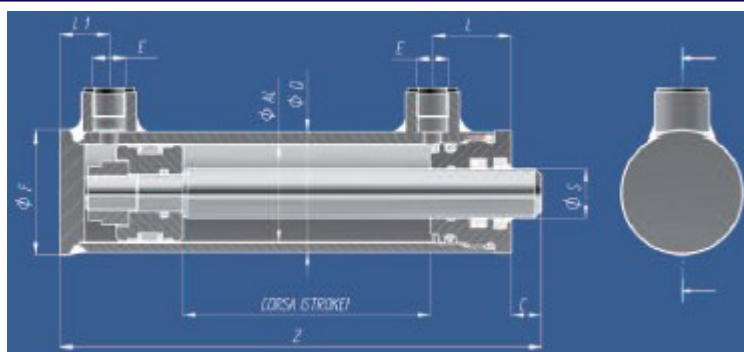




## CYLINDER C200 SERIES HMOLM



Ø D	Ø AL	Ø S	Ø F	Corsa Stroke Hub	Codice Code Bestell-Nr.	Z	C	E	L	LI	Kg	Euro
48	40	20	50	100	HMOLM0400200100	195	12	1/4"	32	20	1,73	<b>64,00</b>
				150	HMOLM0400200150	245					2,07	<b>67,50</b>
				200	HMOLM0400200200	295					2,41	<b>71,00</b>
				250	HMOLM0400200250	345					2,75	<b>74,50</b>
				300	HMOLM0400200300	395					3,09	<b>78,00</b>
				350	HMOLM0400200350	445					3,43	<b>81,50</b>
				400	HMOLM0400200400	495					3,77	<b>85,00</b>
				450	HMOLM0400200450	545					4,11	<b>88,50</b>
				500	HMOLM0400200500	595					4,45	<b>92,00</b>
48	40	25	50	100	HMOLM0400250100	195	12	1/4"	32	20	1,88	<b>67,00</b>
				150	HMOLM0400250150	245					2,30	<b>71,00</b>
				200	HMOLM0400250200	295					2,72	<b>75,00</b>
				250	HMOLM0400250250	345					3,14	<b>79,00</b>
				300	HMOLM0400250300	395					3,56	<b>83,00</b>
				350	HMOLM0400250350	445					3,98	<b>87,00</b>
				400	HMOLM0400250400	495					4,40	<b>91,00</b>
				450	HMOLM0400250450	545					4,82	<b>95,00</b>
				500	HMOLM0400250500	595					5,24	<b>99,00</b>
58	50	25	60	100	HMOLM0500250100	205	13	3/8"	36	22	2,58	<b>77,00</b>
				150	HMOLM0500250150	255					3,04	<b>81,50</b>
				200	HMOLM0500250200	305					3,50	<b>86,00</b>
				250	HMOLM0500250250	355					3,96	<b>90,50</b>
				300	HMOLM0500250300	405					4,42	<b>95,00</b>
				350	HMOLM0500250350	455					4,88	<b>99,50</b>
				400	HMOLM0500250400	505					5,34	<b>104,00</b>
				450	HMOLM0500250450	555					5,80	<b>108,50</b>
				500	HMOLM0500250500	605					6,26	<b>113,00</b>
58	50	30	60	100	HMOLM0500300100	205	13	3/8"	36	22	2,76	<b>79,00</b>
				150	HMOLM0500300150	255					3,31	<b>84,00</b>
				200	HMOLM0500300200	305					3,86	<b>89,00</b>
				250	HMOLM0500300250	355					4,41	<b>94,00</b>
				300	HMOLM0500300300	405					4,96	<b>99,00</b>
				350	HMOLM0500300350	455					5,51	<b>104,00</b>
				400	HMOLM0500300400	505					6,06	<b>109,00</b>
				450	HMOLM0500300450	555					6,61	<b>114,00</b>
				500	HMOLM0500300500	605					7,16	<b>119,00</b>



## CYLINDER C200 SERIES HMOLM

Ø D	Ø AL	Ø S	Ø F	Corsa Stroke Hub	Codice Code Bestell-Nr.	Z	C	E	L	L1	Kg
68	60	30	70	100	HMOLM0600300100	220	13	3/8"	39	25	3,76
				150	HMOLM0600300150	270					4,35
				200	HMOLM0600300200	320					4,94
				250	HMOLM0600300250	370					5,53
				300	HMOLM0600300300	420					6,12
				350	HMOLM0600300350	470					6,71
				400	HMOLM0600300400	520					7,30
				450	HMOLM0600300450	570					7,89
				500	HMOLM0600300500	620					8,48
68	60	35	70	100	HMOLM0600350100	220	13	3/8"	39	25	3,97
				150	HMOLM0600350150	270					4,66
				200	HMOLM0600350200	320					5,35
				250	HMOLM0600350250	370					6,04
				300	HMOLM0600350300	420					6,73
				350	HMOLM0600350350	470					7,42
				400	HMOLM0600350400	520					8,11
				450	HMOLM0600350450	570					8,80
				500	HMOLM0600350500	620					9,49
78	70	35	80	100	HMOLM0700350100	220	13	3/8"	39	25	4,81
				150	HMOLM0700350150	270					5,55
				200	HMOLM0700350200	320					6,29
				250	HMOLM0700350250	370					7,03
				300	HMOLM0700350300	420					7,77
				350	HMOLM0700350350	470					8,51
				400	HMOLM0700350400	520					9,25
				500	HMOLM0700350500	620					10,74
78	70	40	80	200	HMOLM0700400200	320	13	3/8"	39	25	6,82
				250	HMOLM0700400250	370					7,68
				300	HMOLM0700400300	420					8,54
				350	HMOLM0700400350	470					9,40
				400	HMOLM0700400400	520					10,26
				500	HMOLM0700400500	620					11,98

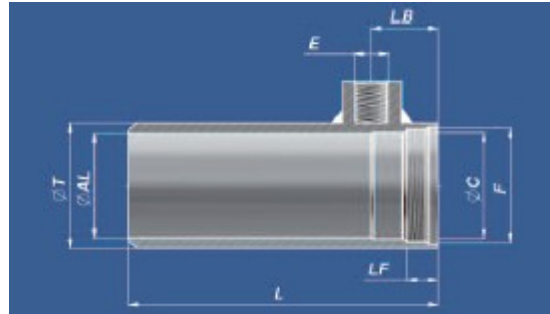
MATERIALE - MATERIAL:

TUBO - TUBE - ROHR: ACCIAIO - STEEL - STAHL ST52,3 DIN2393 ISO H9

STELO - ROD - KOLBENSTANGE: ACCIAIO - STEEL - STAHL UNI C45 CROMO - CHROME - CHROM: 25 MICRON ± 5



## TURNED CYLINDER TUBE WITH WELDED THREADED PORT STLL



Codice Code Bestell-Nr.	Ø AL	Corsa Stroke Hub	L	Ø T	Ø C	LF	LB	F	E	Kg
STLL040040100	40	100	168	48	40,6	12	25	44x1,5	1/4"	0,77
STLL040040200		200	268							1,21
STLL040040300		300	368							1,65
STLL040040400		400	468							2,09
STLL040040500		500	568							2,53
STLL050040100	50	100	176	58	50,6	14	28	54x1,5	3/8"	0,97
STLL050040200		200	276							1,51
STLL050040300		300	376							2,05
STLL050040400		400	476							2,59
STLL050040500		500	576							3,13
STLL060040100	60	100	189	68	60,6	17	31	64x1,5	3/8"	1,19
STLL060040200		200	289							1,77
STLL060040300		300	389							2,35
STLL060040400		400	489							2,93
STLL060040500		500	589							3,51
STLL070040100	70	100	189	78	70,6	17	31	74x1,5	3/8"	1,35
STLL070040200		200	289							2,05
STLL070040300		300	389							2,75
STLL070040400		400	489							3,45
STLL070040500		500	589							4,15
STLL080050200	80	200	298	90	80,6	19	35	85x2	1/2"	2,90
STLL080050300		300	398							3,80
STLL080050400		400	498							4,70
STLL080050500		500	598							5,60
STLL100060300	100	300	412	112	100,6	23	43	105x2	1/2"	6,20
STLL100060400		400	512							7,70
STLL100060500		500	612							8,45

TUBO - TUBE - ROHR: ST52.3 DIN 2393 ISO H9



## TURNED CHROMED ROD FOR SINGLE/DOUBLE ACTING CYLINDER SBLL

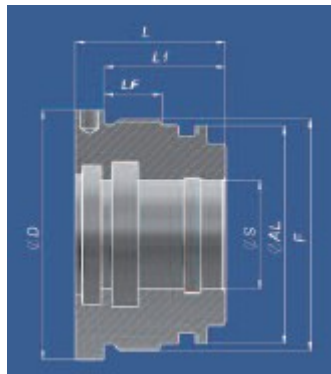


Codice Code Bestell-Nr.	Ø S	x Alesaggio a Bore f. Kolben-Ø	Corsa Stroke Hub	L	C	B	F	Ø I	Kg.
SBLL200400100	20	40	100	185	19	21	M14x1,5	15	0,40
SBLL200400200			200	285					0,64
SBLL200400300			300	385					0,88
SBLL200400400			400	485					1,12
SBLL200400500			500	585					1,36
SBLL250500100	25	50	100	195	22	24	M20x1,5	21	0,68
SBLL250500200			200	295					1,06
SBLL250500300			300	395					1,44
SBLL250500400			400	495					1,82
SBLL250500500			500	595					2,20
SBLL300600100	30	60	100	208	27	27	M24x2	25	1,09
SBLL300600200			200	308					1,73
SBLL300600300			300	408					2,37
SBLL300600400			400	508					3,01
SBLL300600500			500	608					3,65
SBLL350600100	35	60/70	100	208	27	27	M24x2	25	1,34
SBLL350600200			200	308					2,08
SBLL350600300			300	408					2,82
SBLL350600400			400	508					3,56
SBLL350600500			500	608					4,30
SBLL400800200	40	80	200	323	31	29	M27x2	28	2,77
SBLL400800300			300	423					3,73
SBLL400800400			400	523					4,69
SBLL400800500			500	623					5,65
SBLL501000300	50	100	300	440	31	34	M33x2	35	6,12
SBLL501000400			400	540					7,66
SBLL501000500			500	640					9,20

MATERIALE - MATERIAL: ACCIAIO - STEEL - STAHL UNI C45 CROMO - CHROME - CHROM: 25 MICRON ± 5



## C200 SERIES CYLINDER CGLM



### HEAD-BUSH

Codice Code Bestell-Nr.	Ø AL	Ø S	Ø D	F	LF	LI	L	Kg.	Confezione standard - Standard box - Fertige 1	
									Codice - Code - Bestell-Nr.	Pz Pcs Stk
CGLM049040020	40	20	49	44x1,5	11	26	33	0,22	Z50CGLM040020	50
CGLM049040025	40	25	49	44x1,5	11	26	33	0,18	Z50CGLM040025	50
CGLM059050025	50	25	59	54x1,5	13	28	36	0,38	Z25CGLM050025	25
CGLM059050030	50	30	59	54x1,5	13	28	36	0,31	Z25CGLM050030	25
CGLM069060030	60	30	69	64x1,5	16	33	41	0,62	Z25CGLM060030	25
CGLM069060035	60	35	69	64x1,5	16	33	41	0,53	Z25CGLM060035	25
CGLM079070035	70	35	79	74x1,5	16	33	41	0,84	Z20CGLM070035	20
CGLM079070040	70	40	79	74x1,5	16	33	41	0,73	Z20CGLM070040	20
CGLM092080040	80	40	92	85x2	18	36	46	1,25	Z10CGLM080040	10
CGLM092080050	80	50	92	85x2	18	36	46	1,00	Z10CGLM080050	10
CGLM114100050	100	50	114	105x2	22	45	55	2,30	Z10CGLM100050	10
CGLM114100060	100	60	114	105x2	22	45	55	1,95	Z10CGLM100060	10

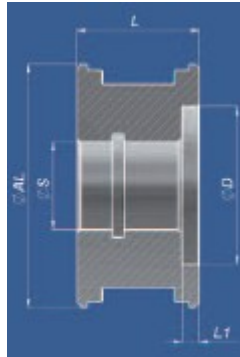
MATERIALE - MATERIAL: GHISA OLEODINAMICA - HYDRAULIC CAST IRON - HYDRAULIKGUSS UNI 5007-G25

### SEALS KIT FOR "CGLM" HEAD-BUSH

Codice Code Bestell-Nr.	Alesaggio/Stelo Bore/Rod Kolben-Ø/Kolbenstange	O-RING		GHK	TTI-L (TSE)	O-RING	
		DOWTY	A.P.			DOWTY	A.P.
GKGCGLM040020	40/20	129	3156	078110	110078	219	4131
GKGCGLM040025	40/25	129	3156	098129	129098/1	219	4131
GKGCGLM050025	50/25	135	3193	098129	129098/1	826	147
GKGCGLM050030	50/30	135	3193	118149	157118	826	147
GKGCGLM060030	60/30	142	3237	118149	157118	832	156
GKGCGLM060035	60/35	142	3237	137169	177137/5	832	156
GKGCGLM070035	70/35	148	3275	137169	177137/5	839	167
GKGCGLM070040	70/40	148	3275	157188	196157	839	167
GKGCGLM080040	80/40	151	3300	157188	196157	845	176
GKGCGLM080050	80/50	151	3300	196228	236196	845	176
GKGCGLM100050	100/50	241	4387	196228	236196	621	185
GKGCGLM100060	100/60	241	4387	236267	283236	621	185



## C200 SERIES CYLINDER CTLM



### PISTON

Codice Code Bestell-Nr.	Ø AL	Ø S	L	Ø D	L1	Kg.
CTLM040015027	40	15	27	27	5	0,15
CTLM050021030	50	21	30	36	5	0,25
CTLM060025035	60	25	35	45	5	0,40
CTLM070025035	70	25	35	45	5	0,59
CTLM080028040	80	28	40	50	6	0,95
CTLM100035040	100	35	40	60	6	1,60

MATERIALE - MATERIAL: ACCIAIO - STEEL - STAHL 92Mn28

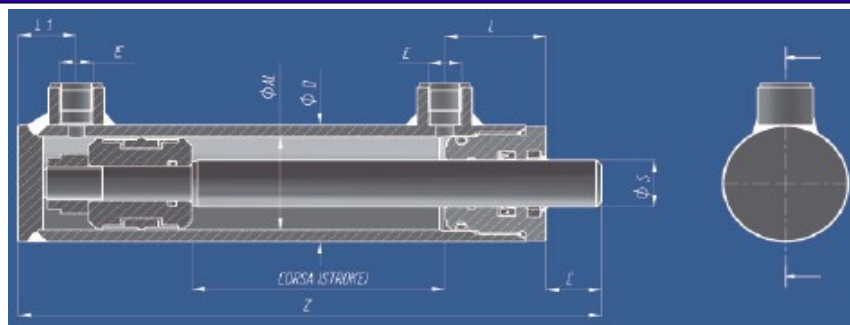
Confezione standard - Standard box - Fertige <sup>1</sup>	
Codice - Code - Bestell-Nr.	Pz Pcs Stk
Z50CTLM040015	50
Z50CTLM050021	50
Z25CTLM060025	25
Z25CTLM070025	25
Z20CTLM080028	20
Z10CTLM100035	10

### SEALS KIT FOR "CTLM" PISTON

Codice Code Bestell-Nr.	Alesaggio/Foro Bore/Hole Kolben-Ø/Bohrung	TPS/G	O-RING	
			DOWTY	A.P.
GKGCTLM040015	40/15	157125/1	616	119
GKGCTLM050021	50/21	196157	812	128
GKGCTLM060025	60/25	236188	120	3100
GKGCTLM070025	70/25	275228	120	3100
GKGCTLM080028	80/28	314255	216	4112
GKGCTLM100035	100/35	393334	220	4137



## CYLINDER M250 SERIES HMO



Ø D	Ø AL	Ø S	Corsa Stroke Hub	Codice Code Bestell-Nr.	Z	C	E	L	L1	Kg
35	25	16	50	HM0025160050	135	17	1/4"	33	15	0,70
			100	HM0025160100	185					0,95
			150	HM0025160150	235					1,25
			200	HM0025160200	285					1,50
42	32	20	50	HM0032200050	155	16	1/4"	33	20	1,30
			100	HM0032200100	205					1,60
			150	HM0032200150	255					1,95
			200	HM0032200200	305					2,30
			250	HM0032200250	355					2,70
			300	HM0032200300	405					3,00
			400	HM0032200400	505					3,70
			500	HM0032200500	605					4,40
50	40	20	100	HM01200100	230	22	1/4"	40	23	2,27
			150	HM01200150	280					2,67
			200	HM01200200	330					3,05
			250	HM01200250	380					3,45
			300	HM01200300	430					3,85
			350	HM01200350	480					4,27
			400	HM01200400	530					4,65
			500	HM01200500	630					5,49
50	40	25	100	HM01250100	230	22	1/4"	40	23	2,50
			150	HM01250150	280					2,95
			200	HM01250200	330					3,39
			250	HM01250250	380					3,85
			300	HM01250300	430					4,32
			350	HM01250350	480					4,79
			400	HM01250400	530					5,26
			450	HM01250450	580					5,72
			500	HM01250500	630					6,20
			550	HM01250550	680					6,60
60	50	25	100	HM02250100	240	22	3/8"	43	26	3,29
			150	HM02250150	290					3,83
			200	HM02250200	340					4,34
			250	HM02250250	390					4,85
			300	HM02250300	440					5,35
			350	HM02250350	490					5,94
			400	HM02250400	540					6,40
			450	HM02250450	590					7,30
			500	HM02250500	640					7,43
			550	HM02250550	690					8,06
			600	HM02250600	740					8,46
			800	HM02250800	940					10,71
1000	HM02251000	1140	12,87							

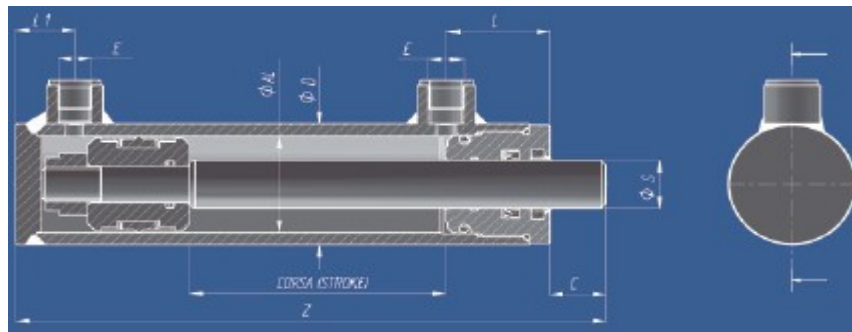


## CYLINDER M250 SERIES HMO

Ø D	Ø AL	Ø S	Corsa Stroke Hub	Codice Code Bestell-Nr.	Z	C	E	L	LI	Kg
60	50	30	150	HM02300150	290	22	3/8"	43	26	4,11
			200	HM02300200	340					4,74
			250	HM02300250	390					5,35
			300	HM02300300	440					5,97
			350	HM02300350	490					6,55
			400	HM02300400	540					7,20
			450	HM02300450	590					7,80
			500	HM02300500	640					8,42
			550	HM02300550	690					9,04
			600	HM02300600	740					9,64
			700	HM02300700	840					10,85
			800	HM02300800	940					12,10
			1000	HM02301000	1140					14,57
70	60	30	100	HM03300100	260	23	3/8"	50	30	4,82
			150	HM03300150	310					5,55
			200	HM03300200	360					6,20
			250	HM03300250	410					6,87
			300	HM03300300	460					7,55
			350	HM03300350	510					8,20
			400	HM03300400	560					8,90
			450	HM03300450	610					9,53
			500	HM03300500	660					10,25
			550	HM03300550	710					10,86
			600	HM03300600	760					11,60
			800	HM03300800	960					14,26
			1000	HM03301000	1160					17,00
70	60	35	100	HM03350100	260	23	3/8"	50	30	5,07
			150	HM03350150	310					5,85
			200	HM03350200	360					6,60
			250	HM03350250	410					7,40
			300	HM03350300	460					8,15
			350	HM03350350	510					8,94
			400	HM03350400	560					9,72
			450	HM03350450	610					10,47
			500	HM03350500	660					11,25
			550	HM03350550	710					12,00
			600	HM03350600	760					12,81
			800	HM03350800	960					15,87
			1000	HM03351000	1160					18,93



## CYLINDER M250 SERIES HMO



Ø D	Ø AL	Ø S	Corsa Stroke Hub	Codice Code Bestell-Nr.	Z	C	E	L	LI	Kg
70	60	40	200	HM03400200	360	23	3/8"	50	30	7,25
			250	HM03400250	410					8,14
			300	HM03400300	460					9,03
			350	HM03400350	510					9,90
			400	HM03400400	560					10,79
			450	HM03400450	610					11,64
			500	HM03400500	660					12,52
			550	HM03400550	710					13,45
			600	HM03400600	760					14,30
			800	HM03400800	960					17,82
			1000	HM03401000	1160					21,40
73	63	40	200	HM0063400200	360	23	3/8"	50	30	7,60
			250	HM0063400250	410					8,50
			300	HM0063400300	460					9,40
			350	HM0063400350	510					10,30
			400	HM0063400400	560					11,20
			450	HM0063400450	610					12,10
			500	HM0063400500	660					13,00
			550	HM0063400550	710					13,90
			600	HM0063400600	760					14,80
			800	HM0063400800	960					18,50
			1000	HM0063401000	1160					22,10
80	70	35	100	HM04350100	260	23	3/8"	50	33	6,09
			150	HM04350150	310					6,95
			200	HM04350200	360					7,74
			250	HM04350250	410					8,60
			300	HM04350300	460					9,40
			350	HM04350350	510					10,26
			400	HM04350400	560					11,00
			450	HM04350450	610					11,88
			500	HM04350500	660					12,60
			550	HM04350550	710					13,66
			600	HM04350600	760					14,20
			800	HM04350800	960					17,56
			1000	HM04351000	1160					21,26



## CYLINDER M250 SERIES HMO

Ø D	Ø AL	Ø S	Corsa Stroke Hub	Codice Code Bestell-Nr.	Z	C	E	L	LI	Kg
80	70	40	200	HM04400200	360	23	3/8"	50	33	8,28
			250	HM04400250	410					9,26
			300	HM04400300	460					10,24
			350	HM04400350	510					11,20
			400	HM04400400	560					12,80
			450	HM04400450	610					13,11
			500	HM04400500	660					14,01
			550	HM04400550	710					15,10
			600	HM04400600	760					15,99
			800	HM04400800	960					19,73
			1000	HM04401000	1160					23,51
92	80	40	200	HM05400200	380	25	1/2"	60	35	11,08
			250	HM05400250	430					12,22
			300	HM05400300	480					13,35
			400	HM05400400	580					15,56
			500	HM05400500	680					17,77
			600	HM05400600	780					19,98
			800	HM05400800	980					24,50
			1000	HM05401000	1180					28,92
			92	80	50					200
250	HM05500250	430				13,73				
300	HM05500300	480				15,15				
400	HM05500400	580				17,95				
500	HM05500500	680				20,71				
600	HM05500600	780				24,00				
800	HM05500800	980				29,50				
1000	HM05501000	1180				35,00				
115	100	50				200	HM06500200	410	25	1/2"
			250	HM06500250	460	21,50				
			300	HM06500300	510	23,00				
			400	HM06500400	610	26,50				
			500	HM06500500	710	30,00				
			600	HM06500600	810	33,50				
			800	HM06500800	1010	40,50				
			1000	HM06501000	1210	47,50				
115	100	60	300	HM06600300	510	25	1/2"	82	38	25,50
			400	HM06600400	610					29,50
			500	HM06600500	710					33,50
			600	HM06600600	810					37,50
			800	HM06600800	1010					46,00
			1000	HM06601000	1210					54,50

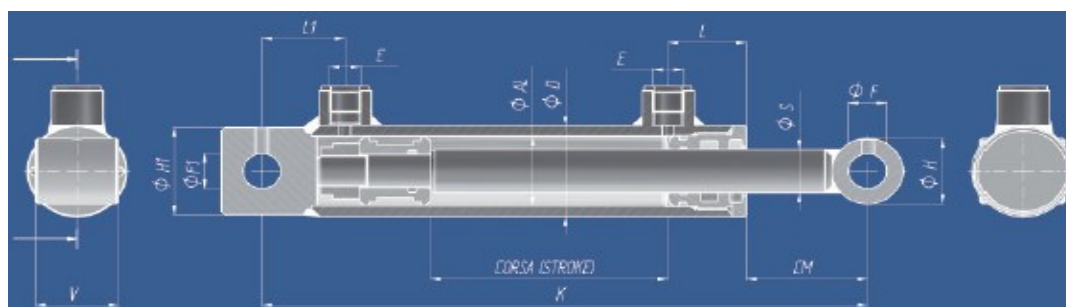
MATERIALE - MATERIAL:

TUBO - TUBE - ROHR: ACCIAIO - STEEL - STAHL ST52,3 DIN2393 ISO H9

STELO - ROD - KOLBENSTANGE: ACCIAIO - STEEL - STAHL UNI C45 CROMO - CHROME - CHROM: 25 MICRON ± 5



## CYLINDER M250 SERIES HFR



Ø D	Ø AL	Ø S	Corsa Stroke Hub	Codice Code Bestell-Nr.	K	E	CM	L	L1	Ø H1	Ø F	Ø F1	Ø H	V	Kg
35	25	16	50	HFR0160050	160	1/4"	31	23	22	35	12,1	25	25	1,00	
			100	HFR0160100	210									1,20	
			150	HFR0160150	260									1,40	
			200	HFR0160200	310									1,70	
42	32	20	50	HFR0200050	205	1/4"	51	33	35	40	16,2	30	35	1,70	
			100	HFR0200100	255									2,10	
			150	HFR0200150	305									2,40	
			200	HFR0200200	355									2,80	
			250	HFR0200250	405									3,10	
			300	HFR0200300	455									3,50	
			400	HFR0200400	555									4,20	
			500	HFR0200500	655									4,80	
50	40	25	100	HFR1250100	270	3/8"	42	40	45	50	20,5	40	40	3,23	
			150	HFR1250150	320									3,71	
			200	HFR1250200	370									4,16	
			250	HFR1250250	420									4,66	
			300	HFR1250300	470									5,12	
			400	HFR1250400	570									6,05	
			500	HFR1250500	670									6,99	
			600	HFR1250600	770									7,95	
			700	HFR1250700	870									8,87	
			800	HFR1250800	970									9,82	
60	50	30	100	HFR2300100	300	3/8"	47	43	58	60	25,5	50	45	5,11	
			150	HFR2300150	350									5,74	
			200	HFR2300200	400									6,33	
			250	HFR2300250	450									6,97	
			300	HFR2300300	500									7,60	
			400	HFR2300400	600									8,83	
			500	HFR2300500	700									10,05	
			600	HFR2300600	800									11,27	
			700	HFR2300700	900									12,40	
			800	HFR2300800	1000									13,73	
70	60	30	100	HFR3300100	300	3/8"	48	50	58	70	25,5	50	45	6,30	
			150	HFR3300150	350									6,97	
			200	HFR3300200	400									7,67	
			250	HFR3300250	450									8,31	
			300	HFR3300300	500									8,97	
			350	HFR3300350	550									9,66	
			400	HFR3300400	600									10,36	
			450	HFR3300450	650									10,99	
			500	HFR3300500	700									11,71	
			600	HFR3300600	800									13,10	
700	HFR3300700	900	14,35												



## CYLINDER M250 SERIES HFR

Ø D	Ø AL	Ø S	Corsa Stroke Hub	Codice Code Bestell-Nr.	K	E	CM	L	L1	ØH1	Ø F Ø F1	Ø H	V	Kg
70	60	35	200	HFR3350200	400	3/8"	48	50	58	70	25,5	50	45	8,00
			300	HFR3350300	500									9,55
			400	HFR3350400	600									11,10
			500	HFR3350500	700									12,65
			600	HFR3350600	800									14,20
			700	HFR3350700	900									15,75
80	70	40	200	HFR4400200	410	3/8"	48	50	58	80	30,5	50	55	10,45
			250	HFR4400250	460									11,37
			300	HFR4400300	510									12,31
			350	HFR4400350	560									13,30
			400	HFR4400400	610									14,22
			450	HFR4400450	660									15,20
			500	HFR4400500	710									16,11
			600	HFR4400600	810									18,12
			700	HFR4400700	910									19,94
92	80	40	200	HFR5400200	410	3/8"	38	60	58	90	30,5	50	55	13,26
			250	HFR5400250	460									14,46
			300	HFR5400300	510									15,54
			350	HFR5400350	560									16,72
			400	HFR5400400	610									18,00
			500	HFR5400500	710									20,00
			600	HFR5400600	810									22,00
			700	HFR5400700	910									24,50
115	100	50	200	HFR6500200	425	3/8"	46	82	50	115	30,5	65	70	26,00
			300	HFR6500300	525									30,00
			400	HFR6500400	625									34,00
			500	HFR6500500	725									38,00
			700	HFR6500700	925									46,00

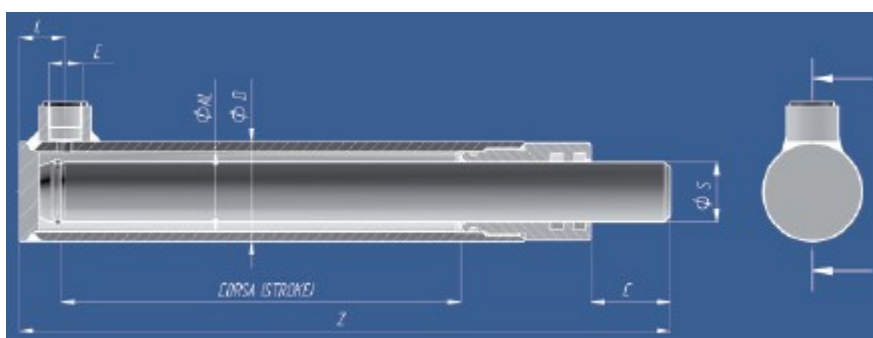
**MATERIALE - MATERIAL:**

TUBO - TUBE - ROHR: ACCIAIO - STEEL - STAHL ST52,3 DIN2393 ISO H9

STELO - ROD - KOLBENSTANGE: ACCIAIO - STEEL - STAHL UNI C45 CROMO - CHROME - CHROM: 25 MICRON ± 5



## ACTING CYLINDER M250 SERIES HT0



Ø D	Ø AL	Ø S	Corsa Stroke Hub	Codice Code Bestell-Nr.	Z	E	C	L	Kg	Euro
50	40	30	200	HT02300200	326	3/8"	40	23	3,64	<b>71,00</b>
			250	HT02300250	376				4,19	<b>75,50</b>
			300	HT02300300	426				4,75	<b>80,00</b>
			350	HT02300350	476				5,31	<b>84,50</b>
			400	HT02300400	526				5,86	<b>89,00</b>
			500	HT02300500	626				6,96	<b>98,00</b>
60	50	40	200	HT03400200	338	3/8"	45	26	5,64	<b>91,00</b>
			300	HT03400300	438				7,29	<b>104,00</b>
			400	HT03400400	538				8,98	<b>117,00</b>
			500	HT03400500	638				10,61	<b>130,00</b>
			600	HT03400600	738				12,28	<b>143,00</b>
70	60	50	300	HT04500300	450	3/8"	50	30	10,47	<b>136,00</b>
			400	HT04500400	550				12,86	<b>154,00</b>
			500	HT04500500	650				15,14	<b>172,00</b>
			600	HT04500600	750				17,50	<b>190,00</b>

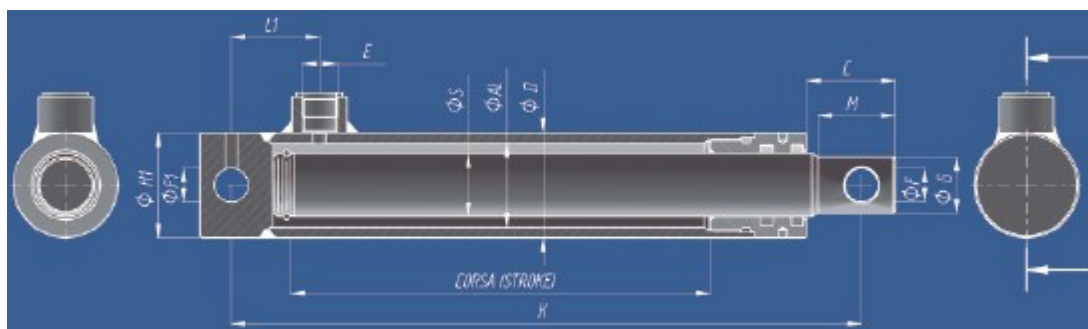
**MATERIALE - MATERIAL:**

TUBO - TUBE - ROHR: ACCIAIO - STEEL - STAHL ST52,3 DIN2393 ISO H9

STELO - ROD - KOLBENSTANGE: ACCIAIO - STEEL - STAHL UNI C45 CROMO - CHROME - CHROM: 25 MICRON ± 5



## ACTING CYLINDER M250 SERIES HFRT



Ø D	Ø AL	Ø S	Corsa Stroke Hub	Codice Code Bestell-Nr.	K	E	M	C	L1	Ø F Ø FI	Ø G	Ø H1	Kg
40	30	25	100	HFRT125100	190	3/8"	35	38	40	14	22	40	1,63
			150	HFRT125150	240								2,04
			200	HFRT125200	290								2,44
			250	HFRT125250	340								2,85
			300	HFRT125300	390								3,26
50	40	30	200	HFRT230200	300	3/8"	37	42	42	16	27	50	3,61
			250	HFRT230250	350								4,16
			300	HFRT230300	400								4,72
			350	HFRT230350	450								5,27
			400	HFRT230400	500								5,82
			550	HFRT230550	650								7,30
60	50	40	200	HFRT340200	330	3/8"	49	54	47	23	37	60	6,00
			250	HFRT340250	380								6,84
			300	HFRT340300	430								7,67
			350	HFRT340350	480								8,49
			400	HFRT340400	530								9,32
			550	HFRT340550	680								11,70
			700	HFRT340700	830								14,10
70	60	50	300	HFRT450300	460	3/8"	65	74	50	25,5	47	65	11,80
			400	HFRT450400	560								14,00
			550	HFRT450550	710								17,50
			700	HFRT450700	860								21,00

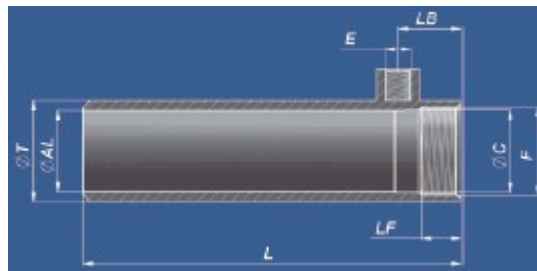
MATERIALE - MATERIAL:

TUBO - TUBE - ROHR: ACCIAIO - STEEL - STAHL ST52,3 DIN2393 ISO H9

STELO - ROD - KOLBENSTANGE: ACCIAIO - STEEL - STAHL UNI C45 CROMO - CHROME - CHROM: 25 MICRON ± 5



## M250 SERIES CYLINDER STL



### TURNED CYLINDER TUBE WITH WELDED THREADED PORT

Codice Code Bestell-Nr.	Ø AL	Corsa Stroke Hub	L	Ø T	Ø C	LF	LB	F	E	Kg.
STL1500100	40	100	192	50	40,6	21	32	44x1,5	1/4"	1,09
STL1500150		150	242							1,37
STL1500200		200	292							1,64
STL1500250		250	342							1,92
STL1500300		300	392							2,19
STL1500350		350	442							2,47
STL1500400		400	492							2,74
STL1500450		450	542							3,02
STL1500500		500	592							3,30
STL1500550		550	642							3,57
STL1500600		600	692							3,85
STL2500100	50	100	202	60	50,6	24	35	54x1,5	3/8"	1,40
STL2500150		150	252							1,74
STL2500200		200	302							2,08
STL2500250		250	352							2,42
STL2500300		300	402							2,75
STL2500350		350	452							3,09
STL2500400		400	502							3,43
STL2500450		450	552							3,76
STL2500500		500	602							4,10
STL2500550		550	652							4,44
STL2500600		600	702							4,77
STL2500700		700	802							5,44
STL2500800		800	902							6,12
STL2501000		1000	1102							7,47
STL2501500		1500	1602							10,17
STL3500100		60	100							217
STL3500150	150		267	2,17						
STL3500200	200		317	2,57						
STL3500250	250		367	2,97						
STL3500300	300		417	3,36						
STL3500350	350		467	3,76						
STL3500400	400		517	4,16						
STL3500450	450		567	4,56						
STL3500500	500		617	4,96						
STL3500550	550		667	5,35						
STL3500600	600		717	5,75						
STL3500800	800		917	7,35						
STL3501000	1000		1117	8,94						
STL3501500	1500		1617	12,95						



## M250 SERIES CYLINDER STL

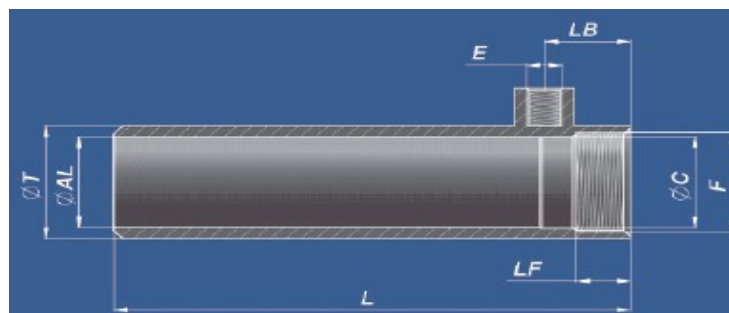
### TURNED CYLINDER TUBE WITH WELDED THREADED PORT

Codice Code Bestell-Nr.	Ø AL	Corsa Stroke Hub	L	Ø T	Ø C	LF	LB	F	E	Kg.
STL0630730200	63	200	317	73	64,1	26	40	68x1,5	3/8"	2,59
STL0630730250		250	367							3,01
STL0630730300		300	417							3,43
STL0630730400		400	517							4,27
STL0630730500		500	617							5,11
STL0630730600		600	717							5,95
STL0630730800		800	917							7,63
STL0630731000		1000	1117							9,30
STL4500100	70	100	217	80	70,6	29	40	74x1,5	3/8"	2,04
STL4500150		150	267							2,50
STL4500200		200	317							2,96
STL4500250		250	367							3,42
STL4500300		300	417							3,87
STL4500350		350	467							4,33
STL4500400		400	517							4,79
STL4500450		450	567							5,25
STL4500500		500	617							5,71
STL4500550		550	667							6,17
STL4500600		600	717							6,63
STL4500800		800	917							8,47
STL4501000		1000	1117							10,31
STL4501500		1500	1617							14,94
STL5600200	80	200	335	92	80,6	35	50	85x2	1/2"	4,29
STL5600250		250	385							4,92
STL5600300		300	435							5,56
STL5600400		400	535							6,82
STL5600500		500	635							8,08
STL5600600		600	735							9,35
STL5600800		800	935							11,88
STL5601000		1000	1135							14,41
STL5601500	1500	1635	20,77							
STL6700200	100	200	360	115	100,6	53	70	105x2	1/2"	7,17
STL6700250		250	410							8,16
STL6700300		300	460							9,14
STL6700400		400	560							11,12
STL6700500		500	660							13,09
STL6700600		600	760							15,07
STL6700800		800	960							19,02
STL6701000		1000	1160							22,97
STL6701500		1500	1660							32,89

TUBO - TUBE - ROHR: ST52.3 DIN 2393 ISO H9



## M250 SERIES CYLINDER STS H8



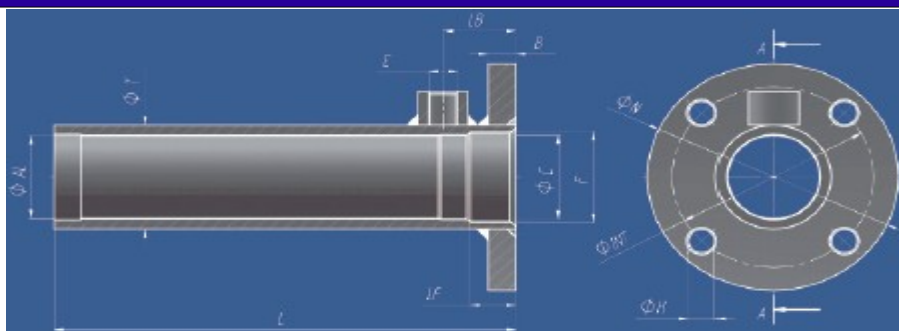
### TURNED HONED CYLINDER TUBE WITH WELDED THREADED PORT

Codice Code Bestell-Nr.	Ø AL	Corsa Stroke Hub	L	Ø T	Ø C	LF	LB	F	E	Kg.	Euro
STS5700200	80	200	335	95	80,6	35	50	85x2	1/2"	5,44	<b>82,57</b>
STS5700250		250	385							6,25	<b>90,54</b>
STS5700300		300	435							7,05	<b>98,52</b>
STS5700400		400	535							8,66	<b>114,47</b>
STS5700500		500	635							10,27	<b>130,42</b>
STS5700600		600	735							11,87	<b>146,37</b>
STS5700800		800	935							15,09	<b>178,27</b>
STS5701000		1000	1135							18,31	<b>210,17</b>
STS6700200	100	200	360	115	100,6	53	70	105x2	1/2"	7,17	<b>101,28</b>
STS6700250		250	410							8,16	<b>110,91</b>
STS6700300		300	460							9,14	<b>120,53</b>
STS6700400		400	560							11,12	<b>139,78</b>
STS6700500		500	660							13,10	<b>159,03</b>
STS6700600		600	760							15,10	<b>178,28</b>
STS6700800		800	960							19,00	<b>216,78</b>
STS6701000		1000	1160							23,00	<b>255,28</b>

TUBO - TUBE - ROHR: ST52.2 DIN 2391 ISO H8



## M250 SERIES CYLINDER STFG

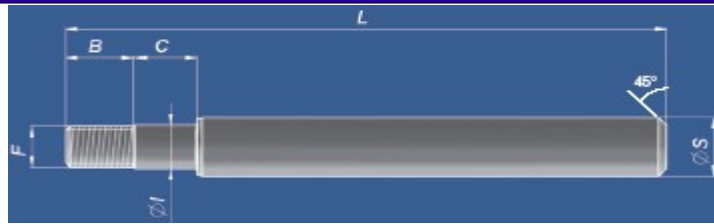


### TURNED CYLINDER TUBE WITH WELDED THREADED PORT AND FLANGE

Codice Code Bestell-Nr.	Ø AL	Corsa Stroke Hub	L	Ø T	Ø C	F	LF	E	LB	Flangia - Flange - Flansch				Kg.
										Ø N	B	Ø INT	Ø H	
STFG040050100	40	100	202	50	40,6	M 44 x 1,5	20	1/4"	32	109	12,5	87	4 x Ø11	1,8
STFG040050200		200	302											2,3
STFG040050300		300	402											2,8
STFG040050400		400	502											3,4
STFG040050500		500	602											3,9
PREDISPOSTO PER FONDELLO INTERNO - MACHINED FOR INTERNAL END-PLUG - FÜR INNENBODEN GEEIGNET: COD CF10410012														
STFG050050100	50	100	212	60	50,6	M 54 x 1,5	23	3/8"	35	128	14,5	105	4 x Ø13	2,5
STFG050050200		200	312											3,2
STFG050050300		300	412											3,8
STFG050050400		400	512											4,5
STFG050050500		500	612											5,2
PREDISPOSTO PER FONDELLO INTERNO - MACHINED FOR INTERNAL END-PLUG - FÜR INNENBODEN GEEIGNET: COD CF10510012														
STFG060050100	60	100	230	70	60,6	M 64 x 1,5	28	3/8"	40	142	16,5	117	4 x Ø13	3,2
STFG060050200		200	330											4,0
STFG060050300		300	430											4,8
STFG060050400		400	530											5,6
STFG060050500		500	630											6,4
PREDISPOSTO PER FONDELLO INTERNO - MACHINED FOR INTERNAL END-PLUG - FÜR INNENBODEN GEEIGNET: COD CF10610015														
STFG070050100	70	100	230	80	70,6	M 74 x 1,5	28	3/8"	40	162	16,5	127	4 x Ø15	3,9
STFG070050200		200	330											4,8
STFG070050300		300	430											5,8
STFG070050400		400	530											6,7
STFG070050500		500	630											7,6
PREDISPOSTO PER FONDELLO INTERNO - MACHINED FOR INTERNAL END-PLUG - FÜR INNENBODEN GEEIGNET: COD CF10710015														
STFG080070100	80	100	250	95	80,6	M 85 x 2	34	1/2"	50	181	18,5	149	6 x Ø17	6,3
STFG080070200		200	350											7,9
STFG080070300		300	450											9,5
STFG080070400		400	550											11,2
STFG080070500		500	650											12,7
PREDISPOSTO PER FONDELLO INTERNO - MACHINED FOR INTERNAL END-PLUG - FÜR INNENBODEN GEEIGNET: COD CF10810017														
STFG100070100	100	100	278	115	100,6	M 105 x 2	52	1/2"	70	194	24,5	162	6 x Ø17	8,5
STFG100070200		200	378											10,5
STFG100070300		300	478											12,5
STFG100070400		400	578											14,5
STFG100070500		500	678											16,5
PREDISPOSTO PER FONDELLO INTERNO - MACHINED FOR INTERNAL END-PLUG - FÜR INNENBODEN GEEIGNET: COD CF11010020														
TUBO - TUBE - ROHR: ST52.3 DIN 2393 ISO H9    FLANGIA - FLANGE - FLANSCH: FE 510C														



## M250 SERIES CYLINDER SBL



### TURNED CHROMED ROD FOR SINGLE/DOUBLE ACTING CYLINDER

Codice Code Bestell-Nr.	Ø S	x Alesaggio x Bore f. Kolben-Ø	Corsa Stroke Hub	L	C	B	F	Ø I	Kg.
SBL2010100	20	40	100	220	35	23	14x1,5	15	0,48
SBL2010150			150	270					0,60
SBL2010200			200	320					0,72
SBL2010250			250	370					0,84
SBL2010300			300	420					0,97
SBL2010350			350	470					1,09
SBL2010400			400	520					1,21
SBL2010450			450	570					1,33
SBL2010500			500	620					1,46
SBL2510100			25	40					100
SBL2510150	150	270			0,89				
SBL2510200	200	320			1,08				
SBL2510250	250	370			1,27				
SBL2510300	300	420			1,47				
SBL2510350	350	470			1,66				
SBL2510400	400	520			1,85				
SBL2510450	450	570			2,04				
SBL2510500	500	620			2,23				
SBL2510550	550	670			2,42				
SBL2510600	600	720	2,61						
SBL2520100	25	50	100	230	35	30	20x1,5	20	0,79
SBL2520150			150	280					0,98
SBL2520200			200	330					1,17
SBL2520250			250	380					1,37
SBL2520300			300	430					1,56
SBL2520350			350	480					1,75
SBL2520400			400	530					1,94
SBL2520450			450	580					2,13
SBL2520500			500	630					2,32
SBL2520550			550	680					2,51
SBL2520600	600	730	2,71						
SBL2520800	800	930	3,47						
SBL2521000	1000	1130	4,24						
SBL3020100	30	50	100	230	35	30	20x1,5	20	0,90
SBL3020150			150	280					1,12
SBL3020200			200	330					1,34
SBL3020250			250	380					1,57
SBL3020300			300	430					1,79
SBL3020350			350	480					2,01
SBL3020400			400	530					2,24
SBL3020450			450	580					2,46
SBL3020500			500	630					2,68
SBL3020550			550	680					2,91
SBL3020600	600	730	3,13						



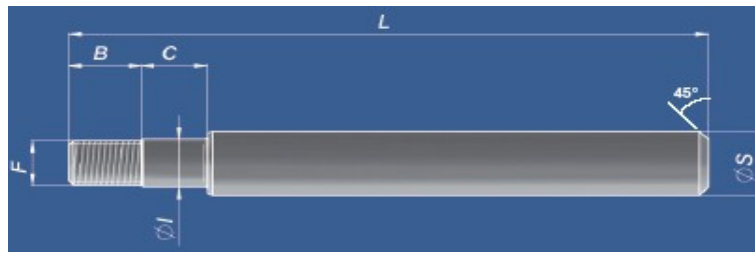
## M250 SERIES CYLINDER SBL

### TURNED CHROMED ROD FOR SINGLE/DOUBLE ACTING CYLINDER

Codice Code Bestell-Nr.	Ø S	x Alesaggio x Bore f. Kolben-Ø	Corsa Stroke Hub	L	C	B	F	Ø I	Kg.
SBL3020700	30	50	700	830	35	30	20x1,5	20	3,58
SBL3020800			800	930					4,02
SBL3021000			1000	1130					4,92
SBL3021500			1500	1630					7,17
SBL3030100	30	60/70	100	248	45	30	20x1,5	20	1,14
SBL3030150			150	298					1,41
SBL3030200			200	348					1,69
SBL3030250			250	398					1,97
SBL3030300			300	448					2,24
SBL3030350			350	498					2,52
SBL3030400			400	548					2,79
SBL3030450			450	598					3,07
SBL3030500			500	648					3,34
SBL3030550			550	698					3,62
SBL3030600			600	748					3,89
SBL3030800			800	948					5,00
SBL3031000			1000	1148					6,10
SBL3530100			35	60/70					100
SBL3530150	150	298			1,86				
SBL3530200	200	348			2,23				
SBL3530250	250	398			2,61				
SBL3530300	300	448			2,98				
SBL3530350	350	498			3,36				
SBL3530400	400	548			3,73				
SBL3530450	450	598			4,11				
SBL3530500	500	648			4,48				
SBL3530550	550	698			4,86				
SBL3530600	600	748			5,23				
SBL3530800	800	948			6,74				
SBL3531000	1000	1148			8,24				
SBL3531500	1500	1648			11,99				
SBL4040200	40	60/70	200	348	45	30	27x2	27	3,01
SBL4040250			250	398					3,50
SBL4040300			300	448					3,99
SBL4040350			350	498					4,48
SBL4040400			400	548					4,97
SBL4040450			450	598					5,46
SBL4040500			500	648					5,95
SBL4040550			550	698					6,44
SBL4040600			600	748					6,93
SBL4040800			800	948					8,89
SBL4041000			1000	1148					10,85
SBL4041500			1500	1648					15,58



## M250 SERIES CYLINDER SBL



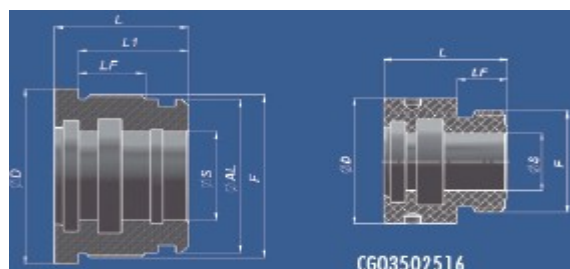
### TURNED CHROMED ROD FOR SINGLE/DOUBLE ACTING CYLINDER

Codice Code Bestell-Nr.	Ø S	x Alesaggio x Bore f. Kolben-Ø	Corso Stroke Hub	L	C	B	F	Ø I	Kg.
SBL0400630200	40	63	200	348	40	35	24x2	24	2,92
SBL0400630250			250	398					3,40
SBL0400630300			300	448					3,90
SBL0400630400			400	548					4,88
SBL0400630500			500	648					5,87
SBL0400630600			600	748					6,85
SBL0400630800			800	948					8,80
SBL0400631000			1000	1148					10,76
SBL4050200	40	80	200	368	45	38	27x2	27	3,17
SBL4050250			250	418					3,66
SBL4050300			300	468					4,15
SBL4050400			400	568					5,13
SBL4050500			500	668					6,11
SBL4050600			600	768					7,09
SBL4050800			800	968					9,05
SBL4051000			1000	1168					11,01
SBL5050200	50	80	200	368	45	38	27x2	27	4,74
SBL5050250			250	418					5,50
SBL5050300			300	468					6,27
SBL5050400			400	568					7,80
SBL5050500			500	668					9,33
SBL5050600			600	768					10,86
SBL5050800			800	968					13,93
SBL5051000			1000	1168					16,99
SBL5051500	1500	1648	24,64						
SBL5060200	50	100	200	395	45	43	33x2	33	5,29
SBL5060250			250	445					6,06
SBL5060300			300	495					6,82
SBL5060400			400	595					8,35
SBL5060500			500	695					9,89
SBL5060600			600	795					11,42
SBL5060800			800	995					14,48
SBL5061000			1000	1195					17,54
SBL6060300	60	100	300	495	45	43	33x2	33	9,56
SBL6060400			400	595					11,77
SBL6060500			500	695					13,98
SBL6060600			600	795					16,18
SBL6060800			800	995					20,59
SBL6061000			1000	1195					25,00
SBL6061500			1500	1695					36,00

MATERIALE - MATERIAL: ACCIAIO - STEEL - STAHL UNI C45 CROMO - CHROME - CHROM: 25 MICRON ± 5



## M250 SERIES CYLINDER SBL



### HEAD-BUSH

Codice Code Bestell-Nr.	Ø AL	Ø S	Ø D	F	LF	L1	L	Kg	Confezione standard - Standard box - Fertige	
									Codice - Code - Bestell-Nr.	Pz Pcs Stk
*CG03502516	25	16	35	28x1,5	12	-	30	0,04	Z00CG03502516	100
*CG04003016	30	16	40	34x1,5	15	27	33	0,17	Z50CG04003016	50
*CG04203216	32	16	42	36x1,5	15	27	33	0,18	Z50CG04203216	50
CG04203220	32	20	42	36x1,5	*	"	"	0,17	Z50CG04203220	50
CG04503520	35	20	44	39x1,5	19	32	40	0,19	Z50CG04503520	50
CG04503522	35	22	"	"	*	"	"	0,17	Z50CG04503522	50
CG05004020	40	20	49	44x1,5	19	32	40	0,28	Z50CG05004020	50
CG05004022	40	22	"	"	*	"	"	0,26	Z50CG05004022	50
CG05004025	40	25	"	"	*	"	"	0,23	Z50CG05004025	50
CG05504522	45	22	54	49x1,5	19	32	40	0,36	Z25CG05504522	25
CG05504525	45	25	"	"	*	"	"	0,33	Z25CG05504525	25
CG06005020	50	20	59	54x1,5	22	35	43	0,53	Z25CG06005020	25
CG06005025	50	25	"	"	*	"	"	0,46	Z25CG06005025	25
CG06005030	50	30	"	"	*	"	"	0,39	Z25CG06005030	25
CG06005035	50	35	"	"	17	30	38	0,29	Z25CG06005035	25
CG06505525	55	25	64	60x1,5	21	35	43	0,68	Z25CG06505525	25
CG06505530	55	30	"	"	*	"	"	0,54	Z25CG06505530	25
CG06505535	55	35	"	"	*	"	"	0,45	Z25CG06505535	25
CG07006025	60	25	69	64x1,5	27	40	50	0,95	Z25CG07006025	25
CG07006030	60	30	"	"	*	"	"	0,80	Z25CG07006030	25
CG07006035	60	35	"	"	*	"	"	0,70	Z25CG07006035	25
CG07006040	60	40	"	"	*	"	"	0,60	Z25CG07006040	25
CG07306330	63	30	73	68x1,5	25	40	50	1,08	Z20CG07306330	20
CG07306335	63	35	"	"	*	"	"	0,98	Z20CG07306335	20
CG07306340	63	40	"	"	*	"	"	0,62	Z20CG07306340	20
CG07506530	65	30	74	69x1,5	25	40	50	1,25	Z20CG07506530	20
CG07506535	65	35	"	"	*	"	"	1,11	Z20CG07506535	20
CG07506540	65	40	"	"	*	"	"	0,98	Z20CG07506540	20
CG07506545	65	45	"	"	*	"	"	0,72	Z20CG07506545	20
CG08007025	70	25	79	74x1,5	27	40	50	1,30	Z20CG08007025	20
CG08007030	70	30	"	"	*	"	"	1,17	Z20CG08007030	20
CG08007035	70	35	"	"	*	"	"	1,06	Z20CG08007035	20
CG08007040	70	40	"	"	*	"	"	0,94	Z20CG08007040	20
CG08007045	70	45	"	"	*	"	"	0,76	Z20CG08007045	20
CG08007050	70	50	"	"	*	"	"	0,66	Z20CG08007050	20
CG09007530	75	30	89	80x2	33	50	60	1,72	Z10CG09007530	10
CG09007535	75	35	"	"	*	"	"	1,62	Z10CG09007535	10
CG09007540	75	40	89	80x2	33	50	60	1,46	Z10CG09007540	10
CG09007545	75	45	"	"	*	"	"	1,33	Z10CG09007545	10

MATERIALE - MATERIAL: GHISA OLEODINAMICA - HYDRAULIC CAST IRON - HYDRAULIKGUSS UNI 5007-G25

\* MATERIALE - MATERIAL: ALLUMINIO - ALUMINIUM UNI 2011-115



## M250 SERIES CYLINDER CG, CG30



### HEAD-BUSH

Codice Code Bestell-Nr.	Ø AL	Ø S	Ø D	F	LF	L1	L	Kg
CG09508030	80	30	94	85x2	33	50	60	2,25
CG09508035	80	35	"	"	"	"	"	1,88
CG09508040	80	40	"	"	"	"	"	1,73
CG09508045	80	45	"	"	"	"	"	1,58
CG09508050	80	50	"	"	"	"	"	1,42
CG09508055	80	55	"	"	"	"	"	1,40
CG09508060	80	60	"	"	"	"	"	1,38
CG10008535	85	35	99	90x2	33	50	60	2,15
CG10008540	85	40	"	"	"	"	"	2,00
CG10008545	85	45	"	"	"	"	"	1,85
CG10008550	85	50	"	"	"	"	"	1,67
CG10509040	90	40	104	95x2	33	50	60	2,31
CG10509045	90	45	"	"	"	"	"	2,16
CG10509050	90	50	"	"	"	"	"	1,99
CG10509060	90	60	"	"	"	"	"	1,57
CG11510040	100	40	114	105x2	51	70	82	4,14
CG11510045	100	45	"	"	"	"	"	3,94
CG11510050	100	50	"	"	"	"	"	3,71
CG11510055	100	55	"	"	"	"	"	3,68
CG11510060	100	60	"	"	"	"	"	3,13
CG11510070	100	70	"	"	"	"	"	3,08
CG12511045	110	45	124	115x2	41	60	72	4,60
CG12511050	110	50	"	"	"	"	"	4,40
CG12511060	110	60	"	"	51	70	82	4,90
CG12511070	110	70	"	"	"	"	"	4,70
CG14012050	120	50	139	125x2	49	70	82	6,37
CG14012060	120	60	"	"	"	"	"	5,30
CG14012070	120	70	"	"	"	"	"	4,57
CG14512560	125	60	144	130x2	59	80	92	6,63
CG14512570	125	70	"	"	"	"	"	5,83
CG16014070	140	70	159	145x2	59	80	92	9,12
CG16014080	140	80	"	"	"	"	"	8,40
CG17015070	150	70	169	155x2	69	90	102	10,58
CG17015080	150	80	"	"	"	"	"	9,75
CG18016080	160	80	179	165x2	69	90	102	13,10
CG18016090	160	90	"	"	"	"	"	12,07
CG30180100	180	100	210	188 x 2,5	58	92	110	15,82
CG30180120	180	120	210	188 x 2,5	58	92	110	12,65
CG30200100	200	100	218	208 x 2,5	58	92	110	20,59
CG30200120	200	120	218	208 x 2,5	58	92	110	17,40
CG30250120	250	120	268	258 x 2,5	80	117	135	40,00
CG30250150	250	150	268	258 x 2,5	80	117	135	33,00

Confezione standard - Standard box - Fertige	
Codice - Code - Bestell-Nr.	Pz Pcs Stk
Z10CG09508030	10
Z10CG09508035	10
Z10CG09508040	10
Z10CG09508045	10
Z10CG09508050	10
Z10CG09508055	10
Z10CG09508060	10
Z10CG10008535	10
Z10CG10008540	10
Z10CG10008545	10
Z10CG10008550	10
Z05CG10509040	5
Z05CG10509045	5
Z05CG10509050	5
Z05CG10509060	5
Z05CG11510040	5
Z05CG11510045	5
Z05CG11510050	5
Z05CG11510055	5
Z05CG11510060	5
Z05CG11510070	5

MATERIALE - MATERIAL: GHISA OLEODINAMICA - HYDRAULIC CAST IRON - HYDRAULIKGUSS UNI 5007-G25



## M250 SERIES CYLINDER CGHFRT



### HEAD-BUSH FOR SINGLE ACTING CYLINDER

Codice Code Bestell-Nr.	Tipo Type Typ	Ø S	Ø AL	Ø D	LF	L1	F	L	Kg.	Confezione standard - Standard box - Fertige	
										Codice - Code - Bestell-Nr.	Pz Pcs Stk
CGHFRT0020	1	20	30	40	18	20	M34x1.5	42	0,21	Z50CGHFRT0020	50
CGHFRT0025	1	25	30	40	18	20	M34x1.5	42	0,15	Z50CGHFRT0025	50
CGHFRT0030	1	30	40	50	19	21	M44x1.5	46	0,33	Z50CGHFRT0030	50
CGHFRT0035	1	35	40	50	19	21	M44x1.5	46	0,22	Z50CGHFRT0035	50
CGHFRT0040	1	40	50	60	28	30	M54x1.5	59	0,52	Z25CGHFRT0040	25
CGHFRT0045	1	45	50	60	28	30	M54x1.5	59	0,37	Z25CGHFRT0045	25
CGHFRT0050	1	50	60	70	28	30	M64x1.5	60	0,62	Z25CGHFRT0050	25
CGHFRT0060	1	60	70	80	28	30	M74x1.5	60	0,73	Z20CGHFRT0060	20
CGHFRT0070	2	70	80	95	32	35	M85x2	70	1,00	Z05CGHFRT0070	5
CGHFRT0080	2	80	90	105	36	40	M95x2	80	1,41	Z05CGHFRT0080	5
CGHFRT0090	2	90	100	115	36	40	M105x2	80	1,49	Z05CGHFRT0090	5
CGHFRT0100	2	100	110	125	45	50	M115x2	100	2,10	Z03CGHFRT0100	3

MATERIALE - MATERIAL:

TIPO 1 - TYPE 1 - TYP 1: ACCIAIO 92Mn36 CON TRATTAMENTO "NI-TEMPER" - STEEL 92Mn36 WITH "NI-TEMPER"

STAHL 92Mn36 MIT "NI-TEMPER-BEHANDLUNG"

TIPO 2 - TYPE 2 - TYP 2: ACCIAIO - STEEL - STAHL ST52,2 / C45

ØAL = TUBO: ALESAGGIO - TUBE: BORE - ZYLINDERROHR: INNEN Ø

### SEALS KIT FOR HEAD-BUSH "CGHFRT" TYPE

Codice Code Bestell-Nr.	Stelo Rod kolbenstange	O-Ring 90 sh.	GHK	TTI-L (TSE)	AGI
GKGFRT020	20	123 (3118)	078110	110078	-
GKGFRT025	25	123 (3118)	098129	129098	-
GKGFRT030	30	129 (3156)	118149	149118	-
GKGFRT035	35	129 (3156)	137169	169137	-
GKGFRT040	40	136 (3200)	157188	188157	-
GKGFRT045	45	136 (3200)	177208	208177	-
GKGFRT050	50	142 (3137)	196228	236196	-
GKGFRT060	60	149 (3281)	236267	275236	-
GKGFRT070	70	235 (4312)	275307	314275/1	2 x ø70
GKGFRT080	80	238 (4350)	314346	354314	2 x ø80
GKGFRT090	90	242 (4400)	354401	413354	2 x ø90
GKGFRT100	100	245 (4437)	393440	444393	2 x ø100



## M250 SERIES CYLINDER CGT



### HEAD-BUSH FOR SINGLE ACTING CYLINDER

Codice Code Bestell-Nr.	Tipo Type Typ	ØS	ØAL	ØD	LF	L1	F	L	Kg	Confezione standard - Standard box - Fertige	
										Codice - Code - Bestell-Nr.	Pz Pcs Stk
CGT0200300	1	20	30	39	15	27	34x1,5	57	0,29	Z25CGT0200300	25
CGT0250350	1	25	35	44	19	32	39x1,5	65	0,33	Z25CGT0250350	25
CGT0300400	1	30	40	49	19	"	44x1,5	65	0,38	Z25CGT0300400	25
CGT0350450	1	35	45	54	19	"	49x1,5	65	0,44	Z12CGT0350450	12
CGT0400500	1	40	50	59	22	35	54x1,5	70	0,51	Z12CGT0400500	12
CGT0450550	1	45	55	64	22	"	60x1,5	70	0,59	Z12CGT0450550	12
CGT0500600	1	50	60	69	22	40	64x1,5	75	0,64	Z12CGT0500600	12
CGT0600700	1	60	70	79	27	"	74x1,5	75	0,75	Z10CGT0600700	10
CGT0700900	2	70	85	100	30	30	90x2	90	1,92		
CGT0800960	2	80	90	107	40	40	96x2	95	1,98		
CGT1001240	2	100	120	138,5	42	42	124x2	157	7,10		

#### MATERIALE - MATERIAL:

TIPO 1 - TYPE 1 - TYP 1: GHISA OLEODINAMICA - HYDRAULIC CAST IRON - HYDRAULIKGUSS UNI 5007-G25

TIPO 2 - TYPE 2 - TYP 2: ACCIAIO - STEEL - STAHL ST 52.2

ØAL = TUBO: ALESAGGIO - TUBE: BORE - ZYLINDERROHR: INNEN Ø

### SEALS KIT FOR HEAD-BUSH "CGT" TYPE

Codice Code Bestell-Nr.	Stelo Rod kolbenstange	O-Ring		GHK	TTI-L (TSE)	O-Ring		AGI
		Dowty	A.P.			Dowty	A.P.	
GKGT020030	20	120	3100	078110	110078	025	2118	-
GKGT025035	25	123	3118	098129	129098/1	123	3118	-
GKGT030040	30	126	3137	118149	149118	126	3137	-
GKGT035045	35	129	3156	137169	169137	129	3156	-
GKGT040050	40	132	3175	157188	188157	132	3175	-
GKGT045055	45	136	3200	177208	216177	136	3200	-
GKGT050060	50	138	3212	196228	236196	138	3212	-
GKGT060070	60	145	3256	236267	275236	145	3256	-
GKGT070000	70	237	4337	275322	334275/1	-	-	n° 2 x ø70
GKGT080000	80	239	4362	314346	377314/Al	-	-	n° 2 x ø80
GKGT100000	100	248	4475	393440	444393/Al	-	-	n° 2 x ø100



## M250 SERIES CYLINDER CT, CT11



### PISTON

Codice Code Bestell-Nr.	Ø AL	Ø S - F	L	Kg.
* CT00030013	30	13	24,7	0,02
CT00032013	32	13	30	0,09
CT00032015	32	15	30	0,09
CT00035015	35	15	40	0,16
CT00040015	40	15	40	0,23
CT00045015	45	15	40	0,31
CT00050015	50	15	40	0,31
CT00050020	50	20	40	0,35
CT00055020	55	20	40	0,42
CT00060020	60	20	50	0,71
CT00060024	60	24	45	0,56
CT00060027	60	27	50	0,61
CT00063020	63	20	50	0,70
CT00063024	63	24	45	0,65
CT00065020	65	20	50	0,88
CT00065024	65	24	45	0,72
CT00070020	70	20	50	0,81
CT00070024	70	24	45	0,76
CT00070027	70	27	50	0,71
CT00075024	75	24	45	0,93
CT00075027	75	27	50	1,00
CT00080024	80	24	45	1,11
CT00080027	80	27	50	1,23
CT00085024	85	24	45	1,30
CT00085027	85	27	50	1,43
CT00090027	90	27	50	1,66
CT00090033	90	33	50	1,55
CT00100027	100	27	50	2,06
CT00100033	100	33	50	1,95
CT00110033	110	33	50	2,49
CT00110040	110	40	50	2,33
CT00120040	120	40	50	2,95
CT00125040	125	40	50	3,24
CT00140040	140	40	58	5,04
CT00150040	150	40	58	5,67
CT00160051	160	51	58	6,60
** CT11180080	180	80 x 2	82	9,75
** CT11200080	200	80 x 2	82	13,00
** CT11250080	250	98 x 2	82	21,60

### Confezione standard - Standard box - Fertige Ve

Codice - Code - Bestell-Nr.	Pz Pcs Stk
Z00CT00030013	100
Z00CT00032013	100
Z00CT00032015	100
Z50CT00035015	50
Z50CT00040015	50
Z50CT00045015	50
Z50CT00050015	50
Z50CT00050020	50
Z25CT00055020	25
Z25CT00060020	25
Z25CT00060024	25
Z25CT00060027	25
Z25CT00063020	25
Z25CT00063024	25
Z25CT00065020	25
Z25CT00065024	25
Z25CT00070020	25
Z25CT00070024	25
Z25CT00070027	25
Z20CT00075024	20
Z20CT00075027	20
Z20CT00080024	20
Z20CT00080027	20
Z10CT00085024	10
Z10CT00085027	10
Z10CT00090027	10
Z10CT00090033	10
Z10CT00100027	10
Z10CT00100033	10

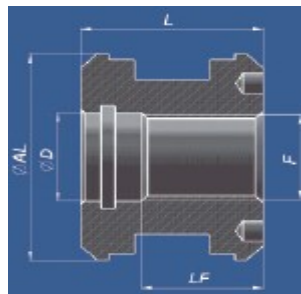
MATERIALE - MATERIAL: ACCIAIO - STEEL - STAHL 92Mn28

\* MATERIALE - MATERIAL: ALLUMINIO - ALUMINIUM - ALUMINIO UNI2011-115

\*\* MATERIALE - MATERIAL: ACCIAIO - STEEL - STAHL UNI C40



## M250 SERIES CYLINDER CTF-CTBF



**THREADED PISTON**

STANDARD	Codice Code Bestell-Nr.	ØAL	F	LF	ØD	L	Kg.	Confezione standard - Standard box - Fertige	
								Codice - Code - Bestell-Nr.	Pz Pcs Stk
	**CTF2510125	25	10x1,5	17,5	11	25	0,01	Z00CTF2510125	100
	CTF0401615	40	16x1,5	30	17	40	0,22	Z50CTF0401615	50
	CTF0502015	50	20x1,5	28	21	40	0,31	Z50CTF0502015	50
	CTF0602420	60	24x2	30	25	45	0,58	Z25CTF0602420	25
	CTF0632420	63	24X2	30	25	45	0,66	Z25CTF0632420	25
	CTF0702420	70	24x2	30	25	45	0,78	Z25CTF0702420	25
	CTF0802720	80	27x2	30	28	45	1,08	Z20CTF0802720	20
	CTF1003320	100	33x2	35	35	50	2,18	Z10CTF1003320	10

MATERIALE - MATERIAL: ACCIAIO - STEEL - STAHL 92Mn28  
 \*\* ØAL 25: ALLUMINIO - ALUMINIUM UNI 2011-115

CORTO - SHORT - KURZ	Codice Code Bestell-Nr.	ØAL	F	LF	ØD	L	Kg.	Confezione standard - Standard box - Fertige	
								Codice - Code - Bestell-Nr.	Pz Pcs Stk
	CTBF040M16	40	16x1,5	19	17	27	0,17	Z00CTBF040M16	100
	CTBF050M20	50	20x1,5	21	21	30	0,29	Z50CTBF050M20	50
	CTBF060M24	60	24x2	24	25	35	0,45	Z25CTBF060M24	25
	CTBF070M24	70	24x2	24	25	35	0,70	Z25CTBF070M24	25
	CTBF080M27	80	27x2	26	28	40	1,06	Z20CTBF080M27	20
	CTBF100M33	100	33x2	26	35	40	1,76	Z10CTBF100M33	10

MATERIALE - MATERIAL: ACCIAIO - STEEL - STAHL 92Mn28

### SEALS KIT FOR PISTON "CTF" TYPE

### SEALS KIT FOR PISTON "CTBF" TYPE

Codice Code Bestell-Nr.	Alesaggio/foro Bore/Hole Kolben-Ø/Bohrung	TPM	O-Ring	Codice Code Bestell-Nr.	Alesaggio/foro Bore/Hole Kolben-Ø/Bohrung	TPS/G	O-Ring
GKGF025010	25/11	TPS/G 098066	806 (114)	GKGB040016	40/17	157125/1	017 (2068)
GKGF040016	40/17	157118	017 (2068)	GKGB050020	50/21	196157	812 (128)
GKGF050020	50/21	196133	812 (128)	GKGB060024	60/25	236188	120 (3100)
GKGF060024	60/25	236173	120 (3100)	GKGB070024	70/25	275228	120 (3100)
GKGF063024	63/25	275196	120 (3100)	GKGB080027	80/28	314255	216 (4112)
GKGF070024	70/25	275196	120 (3100)	GKGB100033	100/35	393334	220 (4137)
GKGF080027	80/28	314236	216 (4112)				
GKGF100033	100/35	393295	220 (4137)				

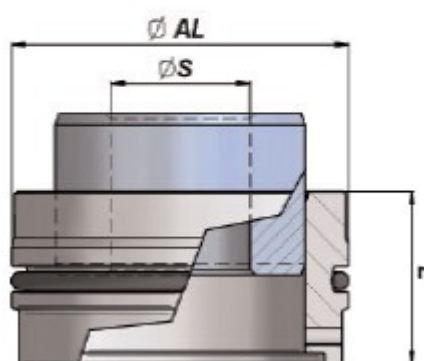


## M250 SERIES CYLINDER

### CUSHIONING COMPONENTS

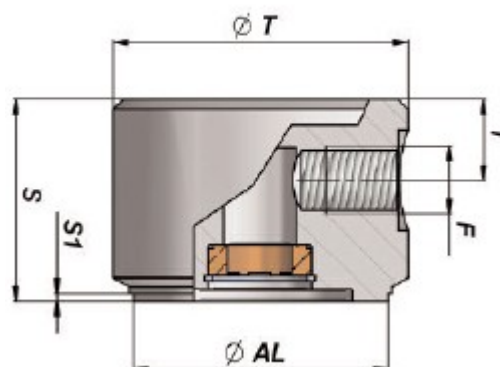
Codice Code Bestell-Nr.	Ø AL	Ø S	L
CBDF006003030	60	30	30
CBDF006003530	60	35	30
CBDF006004030	60	40	30
CBDF006303030	63	30	30
CBDF006303530	63	35	30
CBDF006304030	63	40	30
CBDF007003030	70	30	30
CBDF007003530	70	35	30
CBDF007004030	70	40	30
CBDF007004530	70	45	30
CBDF008003030	80	30	30
CBDF008003530	80	35	30
CBDF008004030	80	40	30
CBDF008004530	80	45	30
CBDF008005030	80	50	30
CBDF010004030	100	40	30
CBDF010004530	100	45	30
CBDF010005030	100	50	30
CBDF010005530	100	55	30
CBDF010006030	100	60	30

ANTERIORE - FRONT - VORNE



FONDELLO - END-PLUG - ZYLINDERBODEN

Codice Code Bestell-Nr.	Ø AL	Ø T	S	I	F	Kg
CFD0600700625	60	70	50	20	3/8" BSP	1,32
CFD0630730625	63	73	50	20	3/8" BSP	1,44
CFD0700800625	70	80	50	20	3/8" BSP	1,77
CFD0800920825	80	92	50	20	1/2" BSP	2,3
CFD1001150825	100	115	50	20	1/2" BSP	3,65





## SEALS KIT GKG

### SEALS FOR "CG" HEAD-BUSH      FOR "CT" PISTON

Codice Code Bestell-Nr.	Alesaggio/Stelo Bore / Rod Kolben-Ø/Kolbenstange
GKGF025016	25/16
GKGO030016	30/16
GKGO032016	32/16
GKGO032020	32/20
GKGO035020	35/20
GKGO035022	35/22
GKGO040020	40/20
GKGO040022	40/22
GKGO040025	40/25
GKGO045022	45/22
GKGO045025	45/25
GKGO050020	50/20
GKGO050025	50/25
GKGO050030	50/30
GKGO050035	50/35
GKGO055025	55/25
GKGO055030	55/30
GKGO055035	55/35
GKGO060025	60/25
GKGO060030	60/30
GKGO060035	60/35
GKGO060040	60/40
GKGO063030	63/30
GKGO063035	63/35
GKGO063040	63/40
GKGO065030	65/30
GKGO065035	65/35
GKGO065040	65/40
GKGO065045	65/45
GKGO070025	70/25
GKGO070030	70/30
GKGO070035	70/35
GKGO070040	70/40
GKGO070045	70/45
GKGO070050	70/50
GKGO075030	75/30
GKGO075035	75/35
GKGO075040	75/40
GKGO075045	75/45
GKGO080030	80/30
GKGO080035	80/35
GKGO080040	80/40
GKGO080045	80/45
GKGO080050	80/50
GKGO080055	80/55

O-Ring		GHK	TTI-L TTS TSE	O-Ring		TPM	O-Ring	
Dowty	A.P.			Dowty	A.P.		Dowty	A.P.
814	132	062087	094063/A	-	-	TPS/G 068066	806	114
025	2118	062087	094063/A	120	3100	TPL 118078	014	2050
120	3100	062087	094063/A	121	3106	TPS/G 125094	014	2050
120	3100	078110	110078	121	3106	TPS/G 125094	616	119
122	3112	078110	110078	216	4112	137098	616	119
122	3112	086118	118086	216	4112	137098	616	119
126	3137	078110	110078	219	4131	157118	616	119
126	3137	086118	118086	219	4131	157118	616	119
126	3137	098129	129098/1	219	4131	157118	616	119
130	3162	086118	118086	222	4150	177137	616	119
130	3162	098129	129098/1	222	4150	177137	616	119
132	3175	078110	110078	826	147	196133	616	119
132	3175	098129	137098	826	147	196133	117	3081
132	3175	118149	157118	826	147	196133	117	3081
132	3175	137169	169137	132	3175	196133	117	3081
135	3193	098128	137098	830	153	216153	117	3081
135	3193	118149	157118	830	153	216153	117	3081
135	3193	137169	177137/5	830	153	216153	117	3081
138	3212	098129	137098	832	156	236173	117	3081
138	3212	118149	157118	832	156	236173	117	3081
138	3212	137169	177137/5	832	156	236173	117	3081
138	3212	157188	188157	832	156	236173	215	4106
140	3225	118149	157118	835	161	248185	117	3081
140	3225	137169	177137/5	835	161	248185	117	3081
140	3225	157188	188157	835	161	248185	814	132
141	3231	118149	157118	836	162	255196	117	3081
141	3231	137169	177137/5	836	162	255196	117	3081
141	3231	157188	188157	836	162	255196	814	132
141	3231	177208	208177	836	162	255196	814	132
145	3256	098129	137098	839	167	275196	117	3081
145	3256	118149	157118	839	167	275196	117	3081
145	3256	137169	177137/5	839	167	275196	117	3081
145	3256	157188	196157	839	167	275196	215	4106
145	3256	177208	216177	839	167	275196	215	4106
145	3256	196228	236196	839	167	275196	215	4106
146	3262	118149	157118	842	171	295216	814	132
146	3262	137169	177137/5	842	171	295216	814	132
146	3262	157188	196157	842	171	295216	215	4106
146	3262	177208	216177	842	171	295216	215	4106
149	3281	118149	157118	GDS 845		314236	814	132
149	3281	137169	177137/5	GDS 845		314236	814	132
149	3281	157188	196157	GDS 845		314236	215	4106
149	3281	177208	216177	GDS 845		314236	215	4106
149	3281	196228	236196	GDS 845		314236	215	4106
149	3281	216248	255216/1	GDS 845		314236	215	4106



## SEALS KIT GKG

### SEALS FOR "CG" HEAD-BUSH

### FOR "CT" PISTON

Codice Code Bestell-Nr.	Alesaggio/Stelo Bore / Rod Kolben-Ø/Kolbenstange
GKG0080060	80/60
GKG0085035	85/35
GKG0085040	85/40
GKG0085045	85/45
GKG0085050	85/50
GKG0090040	90/40
GKG0090045	90/45
GKG0090050	90/50
GKG0090060	90/60
GKG0100040	100/40
GKG0100045	100/45
GKG0100050	100/50
GKG0100055	100/55
GKG0100060	100/60
GKG0100070	100/70
GKG0110045	110/45
GKG0110050	110/50
GKG0110060	110/60
GKG0110070	110/70
GKG0120050	120/50
GKG0120060	120/60
GKG0120070	120/70
GKG0125060	125/60
GKG0125070	125/70
GKG0140070	140/70
GKG0140080	140/80
GKG0150070	150/70
GKG0150080	150/80
GKG0160080	160/80
GKG0160090	160/90

O-Ring		GHK	TTI-L TTS TSE	O-Ring		TPM	O-Ring	
Dowty	A.P.			Dowty	A.P.		Dowty	A.P.
				GDS				
149	3281	236267	283236	GDS 845		314236	215	4106
151	3300	137169	177137/5	619	178	334255	814	132
151	3300	157188	196157	619	178	334255	215	4106
151	3300	177208	216177	619	178	334255	215	4106
151	3300	196228	236196	619	178	334255	215	4106
152	3325	157188	196157	GDS 620		354275	215	4106
152	3325	177208	216177	GDS 620		354275	215	4106
152	3325	196228	236196	GDS 620		354275	219	4131
152	3325	236267	283236	GDS 620		354275	219	4131
153	3350	157188	196157	GDS 621		393295	215	4131
153	3350	177208	216177	GDS 621		393295	215	4106
153	3350	196228	236196	GDS 621		393295	219	4131
153	3350	216248	255216/1	GDS 621		393295	219	4131
153	3350	236267	283236	GDS 621		393295	219	4131
153	3350	275307	334275/1	GDS 621		393295	219	4131
154	3375	177208	216177	GDS 622		433334	824	144
154	3375	196228	236196	GDS 622		433334	824	144
154	3375	236267	283236	GDS 622		433334	824	144
154	3375	275307	334275/1	GDS 622		433334	824	144
156	3425	196228	236196	GDS 623		472374	824	144
156	3425	236267	283236	GDS 623		472374	824	144
156	3425	275322	334275/1	GDS 623		472374	824	144
157	3450	236267	283236	GDS 349		492393	824	144
157	3450	275322	334275/1	GDS 349		492393	824	144
159	3500	275322	334275/1	GDS 864		551452	824	144
159	3500	314346	377314/Al	GDS 864		551452	824	144
160	3525	275322	334275/1	GDS 867		590492	824	144
160	3525	314346	377314/Al	GDS 867		590492	824	144
161	3550	314346	377314/Al	GDS 870		629531	831	155
161	3550	354401	413354/1/Al	GDS 870		629531	831	155

### SEALS FOR "CG" HEAD-BUSH

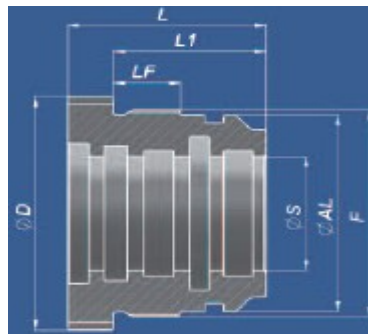
### FOR "CT" PISTON

Codice Code Bestell-Nr.	Alesaggio/Stelo Bore / Rod Kolben-Ø/Kolbenstange
GKG1180100	180 / 100
GKG1180120	180 / 120
GKG1200100	200 / 100
GKG1200120	200 / 120
GKG1250120	250 / 120
GKG1250150	250 / 150

O-Ring		GHK	TSE	O-Ring+GKS		AGI x 3	TDE	O-Ring	
Dowty	A.P.			Dowty	A.P.			Dowty	A.P.
262	4700	393440	444393/Al	628	228	100	708590	339	6325
262	4700	472519	531472/Al	628	228	120	708590	339	6325
265	4775	393440	444393/Al	882	235	100	787669	339	6325
265	4775	472519	531472/Al	882	235	120	787669	339	6325
272	4950	472519	531472/Al	678	8925	120	984866	345	6400
272	4950	590637	669590/Al	678	8925	150	984866	345	6400



## P350 SERIES CYLINDER CGPM



**HEAD-BUSH**

Codice Code Bestell-Nr.	Ø AL	Ø S	Ø D	F	LF	L1	L	Kg
CGPM085070040	70	40	85	74x1,5	22	50	65	1,27
CGPM100080045	80	45	95	85x2	25	60	75	1,95
CGPM100080050	80	50	95	85x2	25	60	75	1,70
CGPM110090045	90	45	110	95x2	25	60	75	2,80
CGPM110090050	90	50	110	95x2	25	60	75	2,57
CGPM120100050	100	50	120	105x2	25	60	75	3,45
CGPM120100060	100	60	120	105x2	25	60	75	2,90
CGPM130110050	110	50	130	115x2	30	70	85	5,00
CGPM130110060	110	60	130	115x2	30	70	85	4,42
CGPM140120060	120	60	140	125x2	30	70	85	5,70
CGPM140120070	120	70	140	125x2	30	70	85	4,90
CGPM160140080	140	80	160	145x2	40	75	90	7,20
CGPM160140100	140	100	160	145x2	40	75	90	5,00
CGPM180160100	160	100	180	165x2	46	85	100	9,40
CGPM180160120	160	120	180	165x2	46	85	100	6,40

MATERIALE - MATERIAL: ACCIAIO - STEEL - STAHL UNI C40

### SEALS KIT FOR HEAD-BUSH "CGPM" TYPE

Codice Code Bestell-Nr.	Alesaggio/Stelo Bore/Rod Kolben-Ø/Kolbenstange	AFI	GHM/C	GIR	O-Ring	GKS	O-Ring Dowty (A.P.)	TTX
GKGCMP070040	70/40	n° 2 40x45x9,7	50x40x7/10	0400	839 (167)	839	148 (3275)	1307/1-BR
GKGCMP080045	80/45	n° 2 45x50x9,7	55x45x7/10	0450	845 (176)	845	151 (3300)	1309-BR
GKGCMP080050	80/50	n° 2 50x55x9,7	60x50x7/10	0500	845 (176)	845	151 (3300)	1310-BR
GKGCMP090045	90/45	n° 2 45x50x9,7	55x45x7/10	0450	620 (181)	620	153 (3350)	1309-BR
GKGCMP090050	90/50	n° 2 50x55x9,7	60x50x7/10	0500	620 (181)	620	153 (3350)	1310-BR
GKGCMP100050	100/50	n° 2 50x55x9,7	60x50x7/10	0500	621 (185)	621	154 (3375)	1310-BR
GKGCMP100060	100/60	n° 2 60x65x9,7	70x60x7/10	0600	621 (185)	621	154 (3375)	1314/2-BR
GKGCMP110050	110/50	n° 2 50x55x9,7	60x50x7/10	0500	345 (6400)	345	156 (3425)	1310-BR
GKGCMP110060	110/60	n° 2 60x65x9,7	70x60x7/10	0600	345 (6400)	345	156 (3425)	1314/2-BR
GKGCMP120060	120/60	n° 2 60x65x9,7	70x60x7/10	0600	348 (6437)	348	158 (3475)	1314/2-BR
GKGCMP120070	120/70	n° 2 70x75x9,7	80x70x7/10	0700	348 (6437)	348	158 (3475)	1322-BR
GKGCMP140080	140/80	n° 3 80x85x9,7	90x80x7/10	0800	864 (208)	864	254 (4550)	1331-BR
GKGCMP140100	140/100	n° 3 100x105x9,7	110x100x7/10	1000	864 (208)	864	254 (4550)	1341/1-BR
GKGCMP160100	160/100	n° 3 100x105x9,7	110x100x7/10	1000	870 (221)	870	259 (4625)	1341/1-BR
GKGCMP160120	160/120	n° 3 120x125x9,7	130x120x7/10	1200	870 (221)	870	259 (4625)	1348-BR

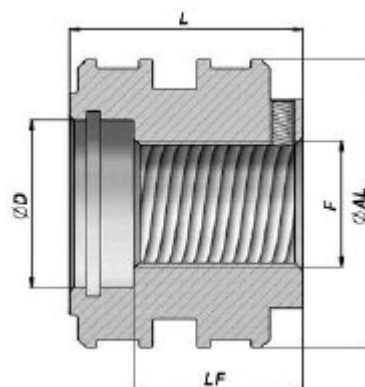


## P350 SERIES CYLINDER CTPM

### THREADED PISTON

Codice Code Bestell-Nr.	Ø AL	Ø D	F	LF	L	Kg.
CTPM070040056	70	40	30x2	41	56	1,00
CTPM080040056	80	40	30x2	41	56	1,40
CTPM090038055	90	38	36x3	40	55	1,80
CTPM100045056	100	45	42x2	41	56	2,20
CTPM110050070	110	50	48x3	55	70	3,40
CTPM120050070	120	50	48x3	55	70	4,10
CTPM140050075	140	50	48x3	57	75	6,00
CTPM160056080	160	56	52x3	60	80	8,50

MATERIALE - MATERIAL: ACCIAIO - STEEL - STAHL UNI C40



### SEALS KIT FOR PISTON "CTPM" TYPE

Codice Code Bestell-Nr.	Alesaggio/Stelo Bore/Rod Kolben-Ø/Kolbenstange	AFE 2 x	PDH	O-Ring Dowty (A.P.)
GKGCTPM070040	70/40	70x65x9,7	70-55	129 (3156)
GKGCTPM080040	80/40	80x75x9,7	80-65	129 (3156)
GKGCTPM090038	90/38	90x85x9,7	90-75	128 (3150)
GKGCTPM100045	100/45	100x95x9,7	100-85	133 (3150)
GKGCTPM110050	110/50	100x105x9,7	110-95	830 (153)
GKGCTPM120050	120/50	120x115x9,7	120-105	830 (153)
GKGCTPM140050	140/50	140x135x9,7	140-117	830 (153)
GKGCTPM160056	160/56	160x155x9,7	160-137	834 (159)